

Technical Manual

IS6 Performance™ Series



ACOUSTIC & ELECTRICAL SPECIFICATIONS:

- Nominal Impedance 8 Ohms
- Max Amp Power 80 Watts*
- Frequency Response 38Hz – 20kHz (-10dB)
- Sensitivity 88dB (2.83V @ 1 meter)
- Crossover Frequency 2,800Hz

SYSTEM COMPONENTS:

- Grille, Gray 590-0263
- Low-Frequency Transducer 6-1/2" (165mm) Titanium-laminate cone w/rubber surround (590-0280)
- DC Resistance 5.9 Ohms
- High-Frequency Transducer 1" (25mm) Titanium-laminate dome, w/swivel mount (590-0278)
- DC Resistance 7.9 Ohms, ±10%
- Crossover Network 590-0281

AURAL SWEEP TEST SPECIFICATIONS:

- System Aural Sweep Test 6.0V Input 35Hz to 20kHz
- L.F. Aural Sweep Test 5.0V Input 35Hz to 3kHz
- H.F. Aural Sweep Test 2.83V Input 2kHz to 20kHz

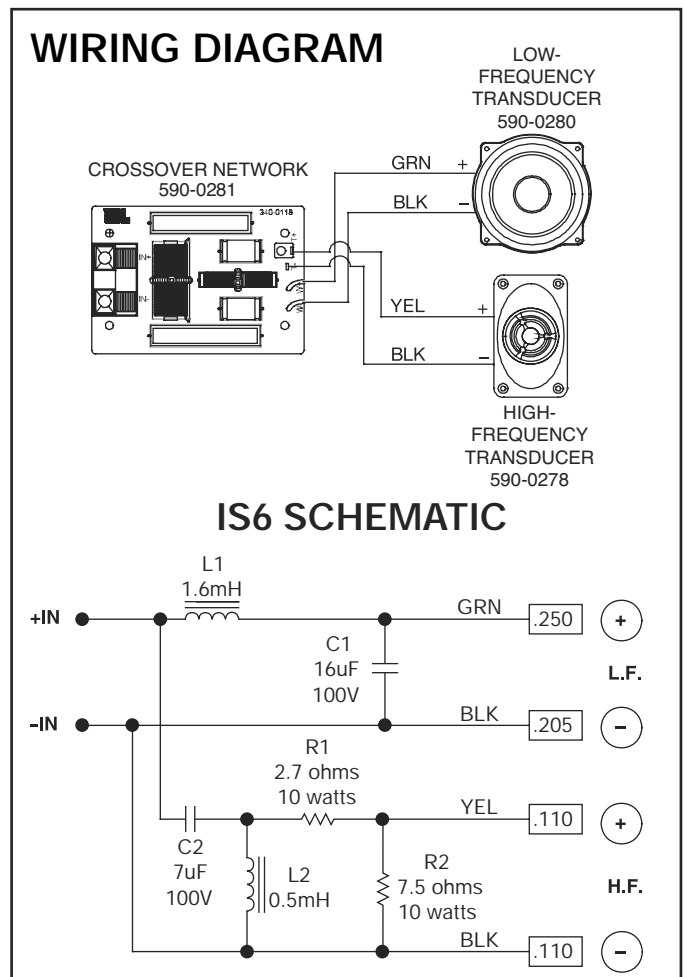
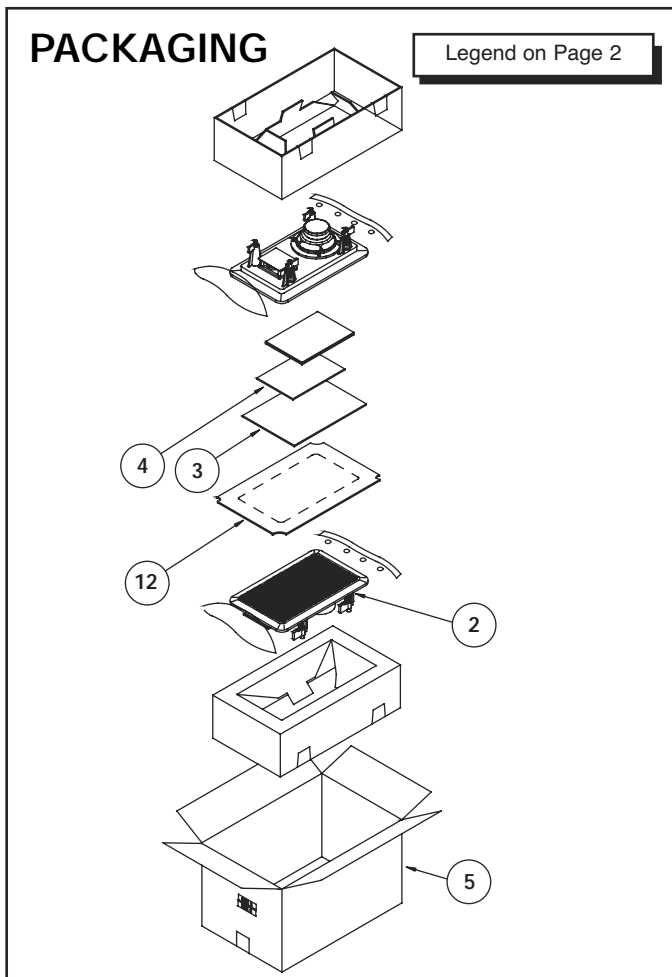
PHYSICAL SPECIFICATIONS:

- Plate Size (W x H) 8-1/2" x 11" (216mm x 297mm)
- Mounting Cutout Size (W x H) 7-1/8" x 9-11/16" (181mm x 246mm)
- Mounting Depth 3-7/8" (98mm)
- Weight 10 lb/4.5kg (sold in pairs)

WARRANTY:

- Refer to Warranty Statement packed with each product.

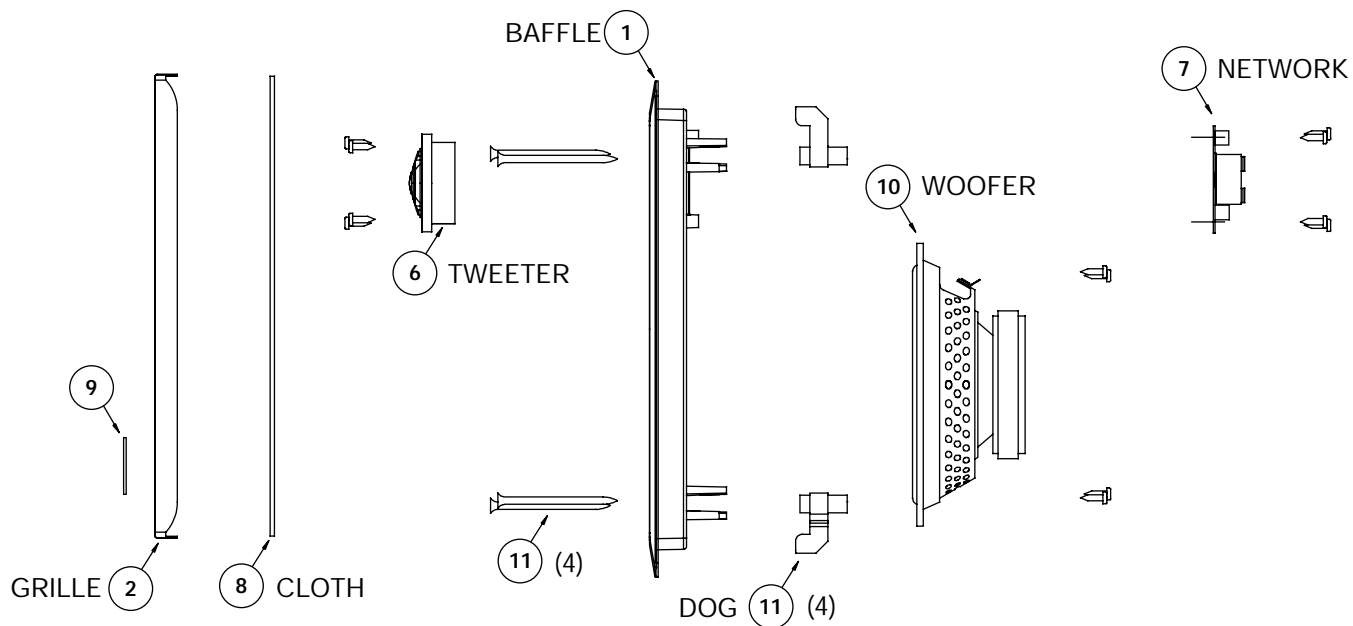
* The maximum recommended amplifier power rating will ensure proper system headroom to allow for occasional peaks. We do not recommend sustained operation at these maximum power levels.



IS6 Performance™ Series



EXPLODED VIEW



Item	Part No.	Description
1	590-0193	BAFFLE IS6
2	590-0263	GRILLE ASS'Y
3	170-1034	OWNER'S MANUAL
4	N/A	WARRANTY CARD
5	220-0738	OUTER CARTON
6	590-0278	1" TWEETER
7	590-0281	CROSSOVER NETWORK
8	GRILLE CLOTH	not sold alone – see 590-0263
9	180-0030	JBL LOGO
10	590-0280	6-1/2" WOOFER
11	590-0173	DOG EAR W/SCREW
12	220-0437	TEMPLATE

IS6 ROUGH-IN FRAME part #RIF6